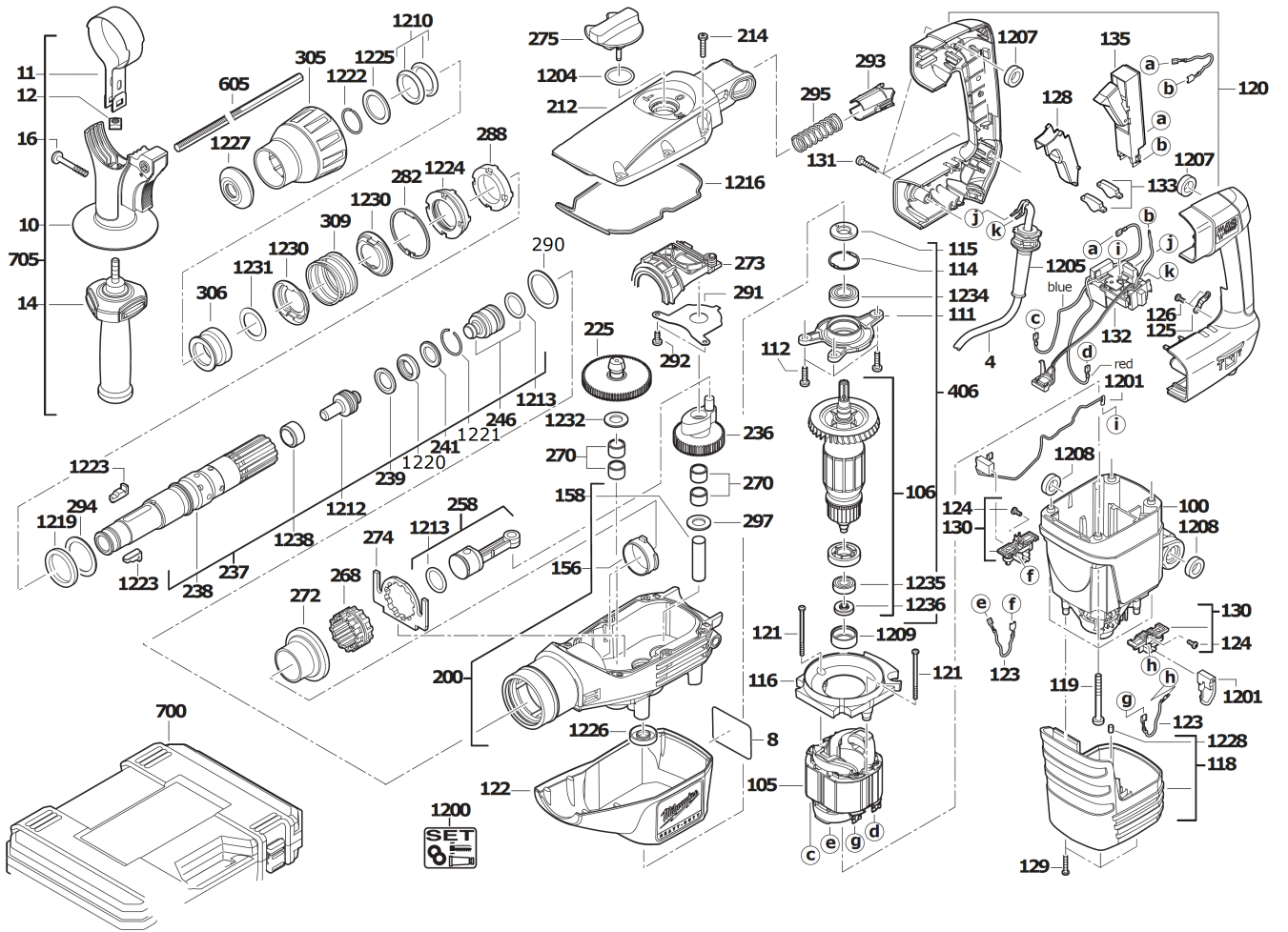


K545S COMBI HAMMER IN2

4933398200 - K545S - 4000442196





Position	Quantity	Description	Part number	EAN
0004 1	1	CONNECTION CABLE	4931624585	4002395767748
0008 2	1	RATING PLATE	Item discontinued(4931407786)	
0010 3	1	WORK STAND	4931412344	4002395798513
0011 4	1	BAND	4931398263	4002395764822
0012 5	1	NUT	4931398267	4002395768288
0014 6	1	HANDLE	4931398253	4002395764815
0016 7	1	SCREW N874101-1 SHR C-K5X45/20 KOMBITORX	4931622765	4002395699094
0100 8	1	MOTOR HOUSING	4931398203	4002395759354
0105 9	1	ELECTRIC FIELD	4931442747	4002395884599
0106 10	1	ARMATURE	4931442685	4002395883745
0111 11	1	BEARING END PLATE	4931426441	4002395842131
0112 12	3	SCREW	4931624541	4002395762019
0114 13	1	LOCKING RING	4931890311	4002395706297
0115 14	1	SEAL RING	4931398198	4002395767281
0116 15	1	AIR DEFLECTOR RING	4931405703	4002395787289
0118 16	1	MOTOR CAP	4931398204	4002395759361
0119 17	4	SCREW D7500-1CE M6x60 T30 TAPT 2000 A2F	4931624542	4002395762026
0120 18	1	PAIR HANDLE SHELLS	4931398208	4002395759385
0121 19	2	SCREW	4931339996	4002395623976
0122 20	1	GEAR BOX INSULATION	4931398206	4002395759378
0123 21	2	WIRE	4931624263	4002395724819
0124 22	4	SCREW	4931624538	4002395760039
0125 23	1	CABLE COLLAR	4931256500	4002395586547
0126 24	2	SCREW	4931624538	4002395760039
0128 25	1	PUSH-BUTTON	4931398529	4002395776603
0129 26	4	SCREW N874101-1 SHR H-K4X22 T15	4931624517	4002395757381
0130 27	2	BRUSH HOLDER	4931381694	4002395780303
0131 28	3	SCREW	4931624504	4002395756148
0132 29	1	ELECT.CIRCUIT BOARD	4931409100	4002395788521
0133 30	2	LIGHT PIPE	4931398114	4002395756063
0135 31	1	SWITCH	4931375454	4002395731688
0156 32	1	BEARING	4931398095	4002395753475
0158 33	1	BEARING BOLT	4931398746	4002395789955
0200 34	1	GEAR BOX	4931409529	4002395815043
0212 35	1	GEAR BOX COVER	4931426454	4002395846474
0214 36	6	SCREW	4931624555	4002395764136
0225 37	1	COUPLING	4931432431	4002395900237
0236 38	1	CRANK WHEEL	4931409600	4002395825295
0237 39	1	SPINDLE	4931398026	4002395764037
0238 40	1	SPINDLE SLEEVE	4931417457	4002395833450
0239 41	1	BACK-PRESSURE RING	4931398031	4002395755790
0241 42	1	CORE LIFTER RING	4931398642	4002395784455
0246 43	1	PERCUSSION BODY	4931455433	4002395177103
0258 44	1	PISTON COMPL.	4931398747	4002395789788
0268 45	1	SET COLLAR	4931398078	4002395755769
0270 46	4	NEEDLE BEARING	4931621847	4002395696192
0272 47	1	SPINDLE BEVEL GEAR	4931432188	4002395859542
0273 48	1	ADJUSTING PIECE	4931398154	4002395760053
0274 49	1	LOCKING PLATE	4931398075	4002395755936
0275 50	1	SWITCH	4931398626	4002395788651

Position	Quantity	Description	Part number	EAN
0282 51	1	RING	4931624479	4002395755950
0288 52	1	THRUST COLLAR	4931398091	4002395753451
0290 53	1	DISC	4931624499	4002395755967
0291 54	1	LATCH PLATE	4931398658	4002395787852
0292 55	2	SCREW	4931624236	4002395717477
0293 56	1	THRUST PIECE	4931398097	4002395755974
0294 57	1	DISC	4931624499	4002395755967
0295 58	1	PRESSURE SPRING	4931398099	4002395755981
0297 59	1	DISC	4931624535	4002395760404
0305 60	1	SLEEVE	4931398216	4002395759392
0306 61	1	INTERLOCK SLEEVE	4931426248	4002395838707
0309 62	1	PRESSURE SPRING	4931398856	4002395794324
0406 63	1	ARMATURE	4931449971	4002395171729
0605 64	1	DEPTH GAUGE	4931398266	4002395764839
0700 65	1	CARRYING CASE	4931455774	4058546291051
0705 66	1	HANDLE	4931398228	4002395766185
1200 67	1	MAINTENANCE SET	4931398232	4002395764129
1201 68	1	CARBON BRUSH SET	4931398132	4002395757312
1204 69	1	O-RING N874701 26X3	4931622166	4002395696963
1205 70	1	PROTECTING COVER	4931393422	4002395752836
1207 71	2	DAMPING ELEMENT	4931398748	4002395789917
1208 72	2	SEALING SLEEVE	4931398101	4002395754588
1209 73	1	RUBBER SLEEVE	4931398085	4002395753291
1210 74	2	SEAL RING	4931624440	4002395755226
1212 75	1	SNAP DIE	4931398578	4002395787470
1213 76	2	O-RING (FKM)	4931398297	4002395767175
1216 77	1	SEAL	4931398539	4002395776665
1219 78	1	DAMPING ELEMENT	4931398105	4002395755776
1220 79	1	CORE LIFTER RING	4931398033	4002395755660
1221 80	1	RING	4931398073	4002395768141
1222 81	1	SPRING RING	9170319040	4002395571895
1223 82	2	INTERLOCK ELEMENT	4931487601	4058546541422
1224 83	1	SEAL RETAINER	4931398034	4002395758586
1225 84	1	INTERLOCK DISC	4931398080	4002395755899
1226 85	1	SEAL RING	4931624495	4002395755400
1227 86	1	RUBBER CAP	4931398064	4002395755677
1228 87	1	HOLDING-DOWN DEVICE	4931409768	4002395847617
1230 88	1	INTERLOCK ELEMENT	4931426013	4002395846009
1231 89	1	WASHER	4931398298	4002395768127
1232 90	1	WASHER	4931624586	4002395768257
1234 91	1	GROOVED BALL BEAR.	4931398189	4002395767304
1235 92	1	BALL BEARING	4931341741	4002395627004
1236 93	1	MAGNETIC DISC	4931426570	4002395856497
1238 94	1	STOP WASHER	4931409781	4002395841813